

Educational concept of the learning platform:

Engineers and skilled workers need to have ready-to-use skills in terms of planning and controlling manufacturing processes, for example:

- Select raw parts for production tasks,
- select manufacturing process accordingly,
- determine work sequences with consideration of available machines,
- create and evaluate process variants,
- carry out the order disposition,
- make short-term decisions in the production department,
- provide all necessary resources.

Accordingly, these competencies have to be developed for students and trainees.

The learning platform "Planning and Controlling of Manufacturing Processes" is intended to support students and learners in self-reliant competence acquisition, by way of:

- Provision of complex and challenging tasks on the subject,
- provision of basic knowledge,
- provision of primary data for successful planning and control of manufacturing processes,
- provision of audiovisual teaching and learning content on the subject area,
- personal feedback from the teacher (tutor) and
- Computer-aided feedback of the learning platform.

Duration of the project POKROK.digital:

01/2017 to 12/2019

Project partner in the project POKROK.digital:

Technische Universität Dresden

Institut für Berufspädagogik
Berufliche Fachrichtung Metall- & Maschinentechnik

Technische Universität Dresden

Institut für Fertigungstechnik
Professur für Formgebende Fertigungsverfahren

Technische Universität Bergakademie Freiberg

Institut für Maschinenelemente, Konstruktion und Fertigung
Professur für Konstruktion und Fertigung

Technická univerzita v Liberci

Fakulta strojní
Katedra výrobních systémů a automatizace

Univerzity J. E. Purkyně v Ústí nad Labem

Fakulta výrobních technologií a managementu

Contact:

Project manager: Prof. Dr. habil. Martin D. Hartmann

Contact person: Dipl.-Berufspäd. Dirk Wohlrabe

E-Mail: pokrok.digital@tu-dresden.de

Phone: +49 351 463 35766

Address: Technische Universität Dresden
Fakultät Erziehungswissenschaften
Institut für Berufspädagogik
D-01062 Dresden



Europäische Union. Europäischer
Fonds für regionale Entwicklung.
Evropská unie. Evropský fond pro
regionální rozvoj.



Ahoj sousede. Hallo Nachbar.
Interreg V A / 2014 – 2020

Project

POKROK .digital

**Practice-oriented competence development
production technology in the regions
by cooperation.digital**



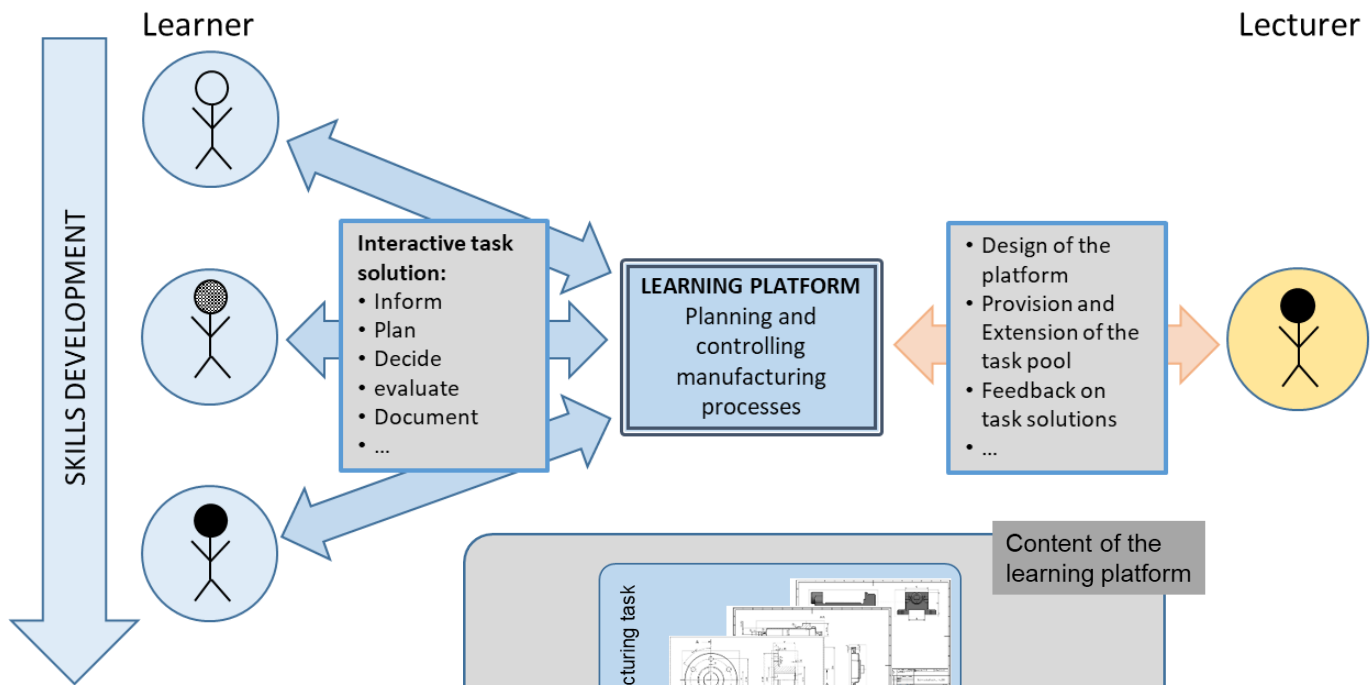
A project in the cooperation program for the advancement of cross-border cooperation 2014 - 2020 between the Free State of Saxony and the Czech Republic



POKROK
.digital

Status: 13.04.2018

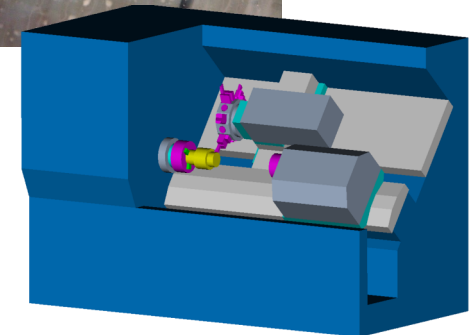
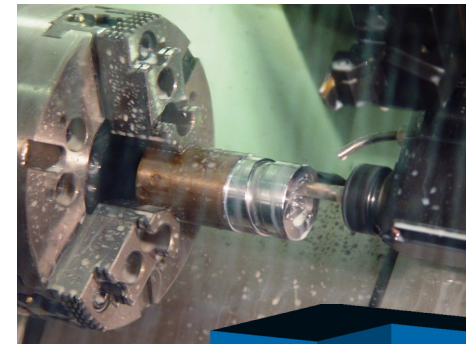
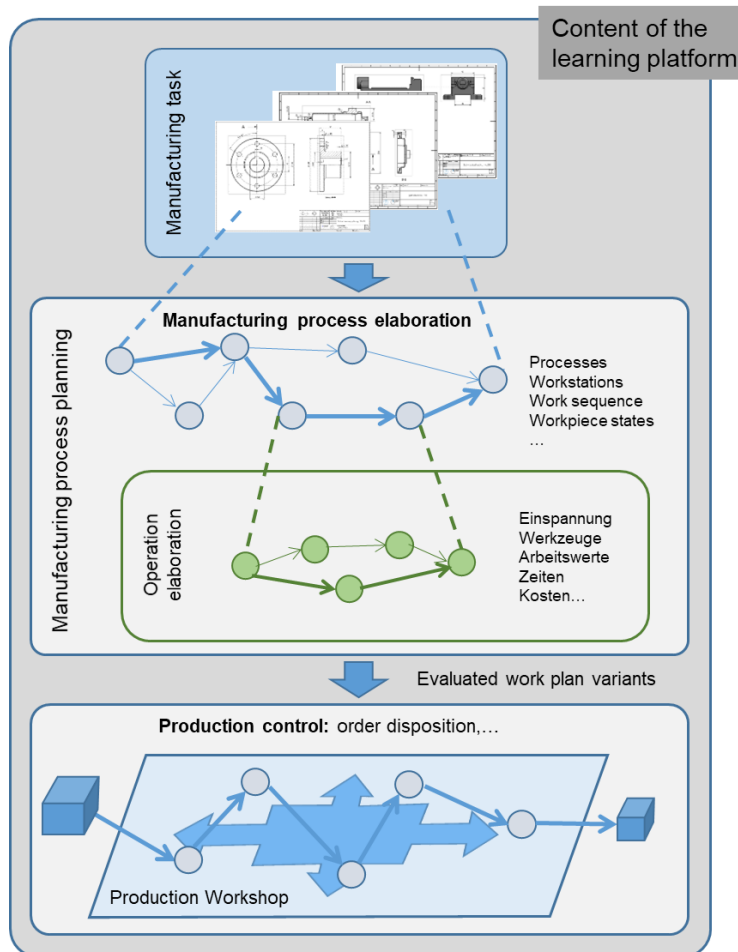
TU Bergakademie Freiberg | IMKF | Akademiestraße 6 | 09655 Freiberg



Objective of the project "POKROK.digital":

Cooperative development and testing of a learning platform "Planning and control of production processes" by project partners from Germany and the Czech Republic.

The learning platform is intended to support students at universities and colleges as well as apprentices at vocational schools in Germany and the Czech Republic to acquire competence in the area of planning and controlling of manufacturing processes with a focus on machining parts production.



Target groups of the learning platform:

- Apprentices and teachers at vocational schools in the field of metal engineering
- Students and university professors / lecturers at universities in the field of mechanical engineering